

Model: Z 35 106 Y

Data

Type: Semi-hermetic piston compressors

Producer: Frascold

Series: Z

Model: Z 35 106 Y

Technical data

Nominal motor power [kW]:	26
Cylinder count:	6
Displacement [m ³ /h]:	106,16
Cylinder capacity [cm ³]:	203,37
RPM [min ⁻¹]:	1450
Weight [kg]:	245
Oil charge [dm ³]:	4,5
Power supply [V/~/Hz]:	220V/3/50Hz \ 400V/3/50Hz

Connections

	<u>milimeters</u>	<u>inches</u>
Suction line:	54	2 1/8"
Discharge line:	35	1 3/8"

Model: Z 35 106 Y

Capacity

R22

Cooling capacity [W]

t_c \ t_e	12.5	7.5	5	0	-5	-10	-15	-20
30	148 980	125 870	115 490	94 450	76 700	61 770	49 270	38 870
40	136 100	114 900	105 370	85 790	69 320	55 510	43 970	34 410
45	129 520	109 290	100 200	81 400	65 600	52 360	41 320	32 200
50	122 820	103 590	94 940	76 940	61 840	49 190	38 680	29 990

Operating conditions: suction gas temperature 20°C, 0K subcooling

t_c - Condensing temperature [°C]

t_e - Evaporating temperature [°C]

Model: Z 35 106 Y

Capacity

R134a

Cooling capacity [W]

t_c \ t_e	12.5	7.5	5	0	-5	-10	-15	-20
50	76 200	62 920	56 980	76 340	37 200	29 400	22 760	17 140
60	65 940	54 240	49 020	39 610	31 530	24 600	18 710	13 710
70	55 370	45 360	40 860	32 760	25 770	19 770	14 660	10 310
80	44 420	36 200	32 490	25 780	19 970	14 960	10 680	7 040

Operating conditions: suction gas temperature 20°C, 0K subcooling

t_c - Condensing temperature [°C]

t_e - Evaporating temperature [°C]

Model: Z 35 106 Y

Capacity

R404A/R507

Cooling capacity [W]

t_c \ t_e	7.5	5	0	-5	-10	-15	-20	-25	-30
30	128 500	117 800	98 830	82 370	68 390	56 030	45 450	36 300	28 650
40	111 530	102 180	85 570	71 110	58 810	47 910	38 570	30 470	23 690
45	102 630	94 000	78 650	65 250	53 830	43 710	35 020	27 480	21 170
50	92 840	85 020	71 060	58 850	48 430	39 170	31 210	24 310	18 510

Operating conditions: suction gas temperature 20°C, 0K subcooling

t_c - Condensing temperature [°C]

t_e - Evaporating temperature [°C]

Model: Z 35 106 Y

Capacity

R407C

Cooling capacity [W]

t_c \ t_e	12.5	7.5	5	0	-5	-10	-15	-20	-25
30	145 970	121 300	110 340	90 730	73 910	59 550	47 330	36 970	28 240
40	130 270	107 960	98 040	80 260	65 000	51 940	40 830	31 400	23 460
45	122 050	100 990	91 610	74 800	60 350	47 990	37 460	28 530	20 990
50	113 570	93 800	84 990	69 180	55 590	43 950	34 030	25 600	18 490

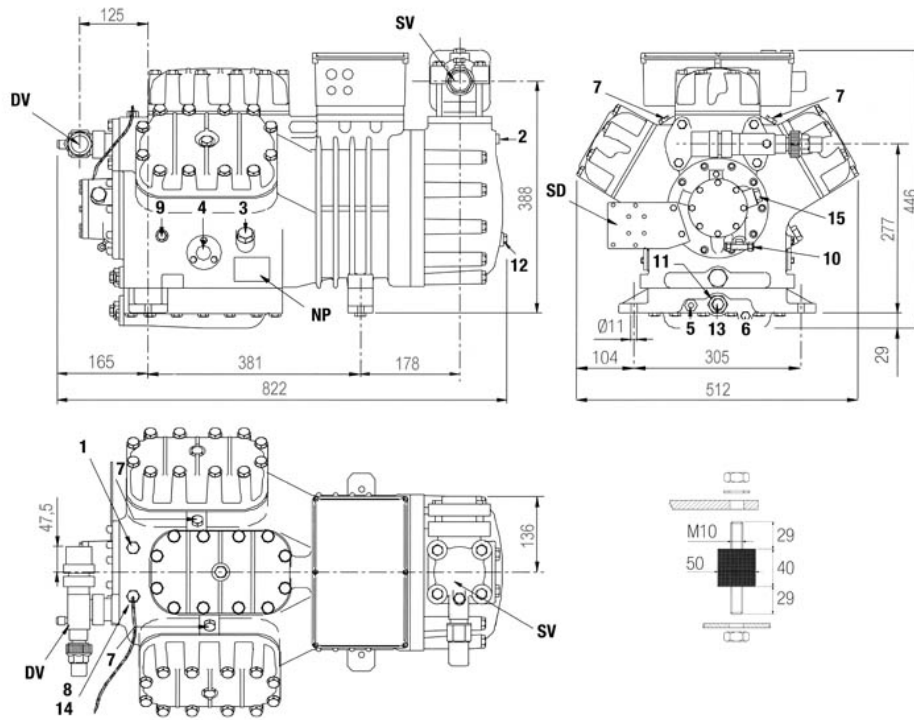
Operating conditions: suction gas temperature 20°C, 0K subcooling

t_c - Condensing temperature [°C]

t_e - Evaporating temperature [°C]

Model: Z 35 106 Y

Dimensions



Model: Z 35 106 Y

Image

